

**Feature :**


- DPST
- Two buttons in line
- Vertical PCB mount
- LED illuminated available

**Applications :**

- Office equipments
- Measuring instruments
- Audio, TV, VCRs
- Many types of electronic equipments

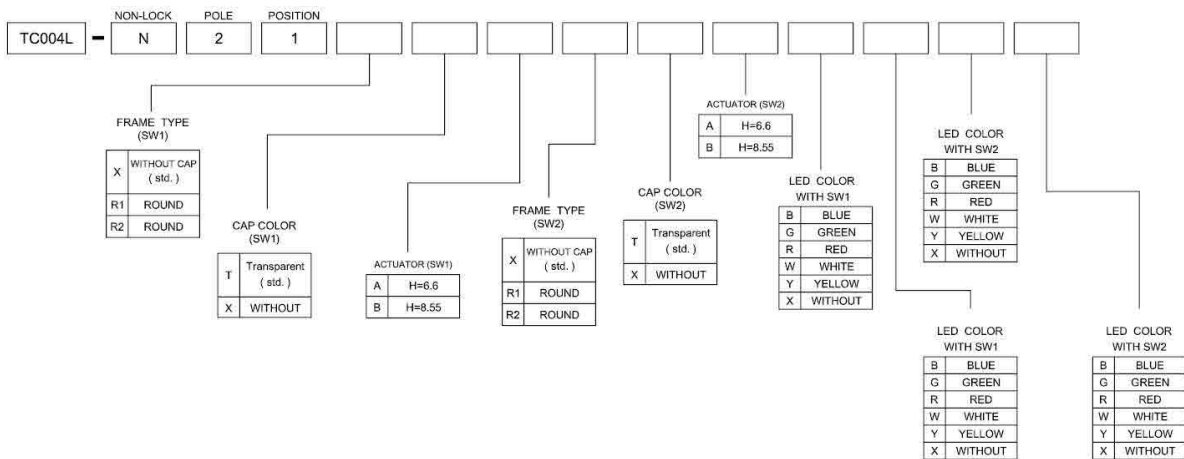


SWITCH SPECIFICATIONS	
POLE - POSITION	DPST
CONTACT RATING	12 V DC , 50 mA
CONTACT RESISTANCE	100 mΩ MAX. 5 V DC ; 1 A , by Method of Voltage DROP
INSULATION RESISTANCE	100 MΩ MIN. 100 V DC for 1 minute
DIELECTRIC STRENGTH	Breakdown is not Allowable ; 100 V AC for 1 Minute
OPERATING FORCE	160 ± 50 gf
OPERATING LIFE	500,000 cycles
OPERATING TEMPERATURE RANGE	-40°C ~ 85°C
TOTAL TRAVEL	0.25 ± 0.10 mm

LED SPECIFICATIONS								
ATTENTION LEDs are Electrostatic Sensitive devices  (+) ○ (-)	Unit	Value / LED Color						
		Blue	Pure Green	Red	Yellow	Orange	Green	White
LUMINOUS INTENSITY@20mA Iv	mcd	330	1600	4000	2700	900	650	300
Dominant Wavelength λD	nm	465	525	630	590	601	/	567
FORWARD VOLTAGE@20mA Vf	V	3.3	3.3	1.95	2	2.1	4	2.1

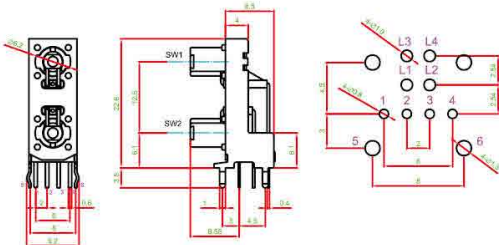
■ A single bin cannot be ordered, please contact us in advance if you need a particular bin sorting before placing your order to clarify the lead time, MOQ and pricing

## HOW TO ORDER



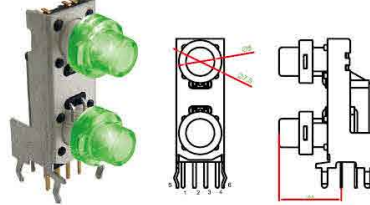
## DIMENSION

• TC004L-N21XXBXXB □□□□

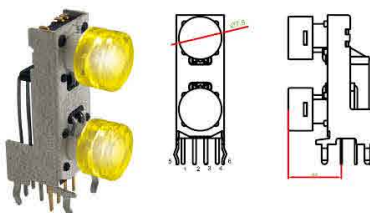


## CAP TYPE

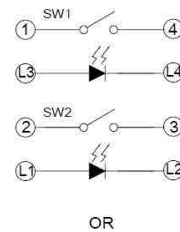
R1 TYPE



R2 TYPE



## CIRCUIT



OR

